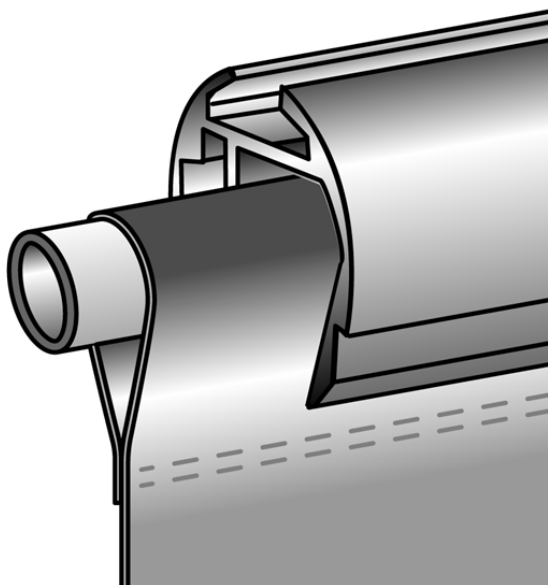


Product sheet:

## TUBE FOR FOLDED POSTER



- Aluminium tube to attach a folded poster and hang it

### Family details

Code	Ø	L.	Pack
710513	13,0 mm	Special size	10 pcs

#### Synco S.r.l.

21046 GURONE DI MALNATE (VA) - Via G. Pastore, 30  
Tel. 0332/420.711 (10 linee ric. Autom.) Fax 0332/425.247  
e-mail: sales@syncospa.com

Codice Fiscale N. 03045040379  
Partita IVA N. 01207730126  
C.C.I.A.A. Varese N. 163413 R.E.A.  
Reg.Imp. Di Varese N. 03045040379  
Numero Mecc. VA010424